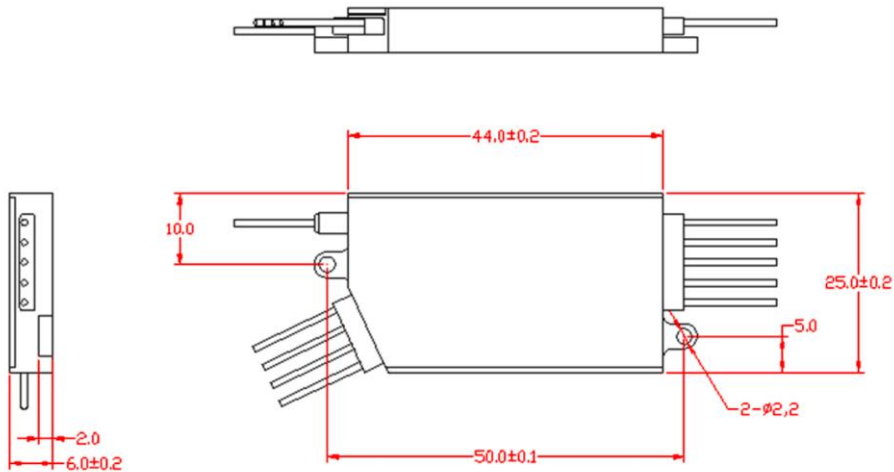


F-CCMUX-8+1-4761-B25

8 + 1 channel compact CWDM mux/demux for splicing enclosures



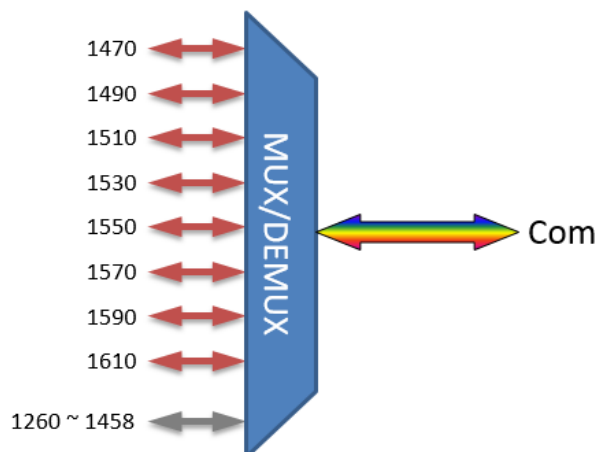
DESCRIPTION

This compact CWDM multiplexer/demultiplexer covers the 8 most common CWDM channels. Its 1310 nm wideband port can be used for legacy 1310 nm equipment or 8 more CWDM channels in the lower band. The form factor makes it very convenient for use in fiber optic splicing enclosures.

FEATURES

- Coarse WDM in compliance with ITU-T G.694.2
- Standard 8-channel CWDM band 1470 – 1610 nm, 20 nm spacing
- Upgrade port for 1310 nm or lower band CWDM
- Very low insertion loss
- Based on thin film optics with epoxy free optical path
- Protocol transparent (support 1G, 10G etc.)
- 1 meter pigtailed, 250µm primary coated Corning SMF-28 fiber, color coded for easy identification
- Can be used for multiplexing or demultiplexing
- Reliability and durability tested according to Telcordia GR-1221-CORE and GR-1209-CORE

FUNCTIONAL DESCRIPTION



TECHNICAL DATA

Parameter	Unit	Value
Center Wavelength	nm	1471, 1491, 1511, ... , 1611
Insertion loss	dB	< 1.8 (see note below)
Insertion Loss – 1310 wide band port	dB	< 1.2 (see note below)
Wide Band port pass band	nm	1260 - 1458
Channel Spacing	nm	20
Channel Flatness	dB	< 0.3
Channel Bandwidth	nm	+/- 6.5
Channel Uniformity	dB	< 1.0
Adjacent channel isolation	dB	> 30
Non-adjacent channel isolation	dB	> 40
Directivity	dB	> 55
Return Loss	dB	> 45
PDL	dB	< 0.15
PMD	ps	< 0.1
Power Handling	mW	> 500
Operating temperature	°C	-30 to +70
Storage temperature	°C	-40 to +85
Dimensions (H x W x D)	mm	6 x 44 x 25

Note: Insertion loss values are valid for 0 – 70 °C. For temperatures from 0 to -30 °C add 0.3 dB.

ORDERING INFORMATION

Product number	Description
F-CCMUX-8+1-4761-B25	Fiberworks compact 8+1 CWDM Mux/Demux for splice trays, 250µm pigtailed