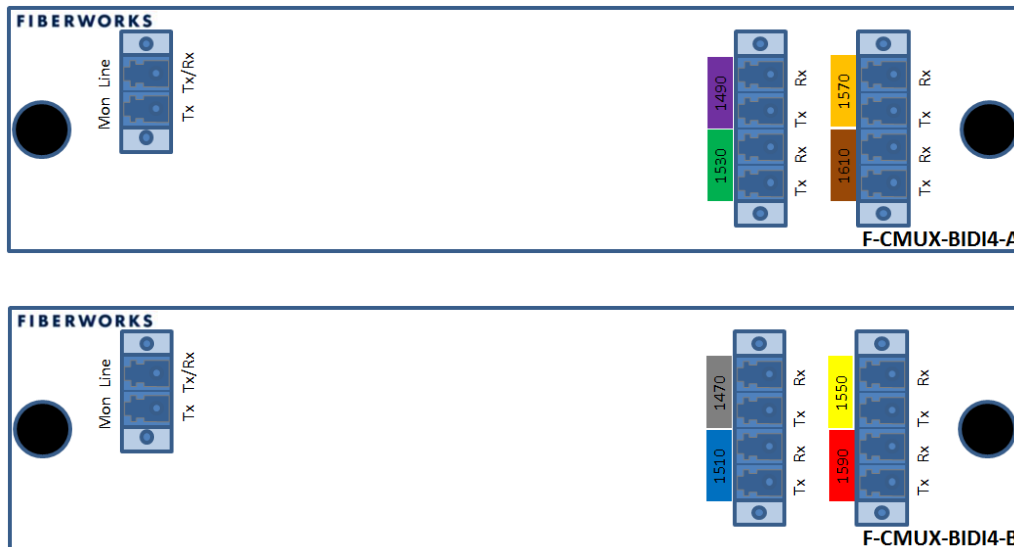


F-CMUX-BIDI4-A/B

4 channel CWDM single fiber mux/demux with monitor port



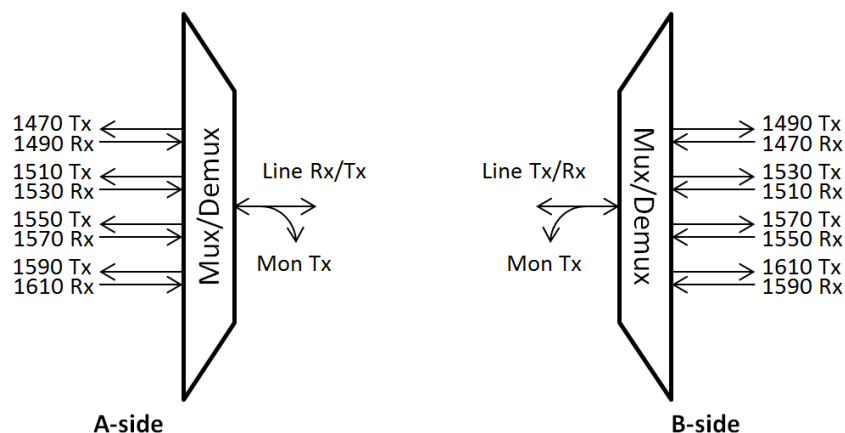
DESCRIPTION

These compact CWDM multiplexers/demultiplexers work in a pair to provide 4 bidirectional channels on a single strand of fiber. They use the 8 CWDM wavelengths in the upper (1550 nm) band with 4 wavelengths being used in each direction. The monitor port ensures easy troubleshooting without downtime and the color coding helps in the installation process reducing the chance of errors.

FEATURES

- Coarse WDM in compliance with ITU-T G.694.2
- 4 bi-directional channels using standard 8-channel CWDM band 1490 – 1610 nm, 20 nm spacing
- 2% monitoring port for Tx.
- Based on thin film optics with epoxy free optical path
- Protocol transparent (support 1G, 10G etc.)
- Two modules fit in 1U in 19" rack
- LC/UPC connectors

FUNCTIONAL DESCRIPTION



TECHNICAL DATA

Parameter	Unit	Value
Center Wavelength	nm	1471, 1491, 1511, ... , 1611
Center Wavelength Accuracy	nm	± 0.5
Channel Spacing	nm	20
Channel Bandwidth	nm	+/- 6.5
Max insertion loss (module / link)	dB	< 4.1 / < 5.0
Monitoring port power level	dB	P _{Line port} - 19 dB
Channel Flatness	dB	< 0.5
Channel Uniformity	dB	< 1.0
Adjacent channel isolation	dB	> 30
Non-adjacent channel isolation	dB	> 40
Directivity	dB	> 50
Return Loss	dB	> 45
PDL	dB	< 0.10
PMD	ps	< 0.1
Wavelength thermal stability	nm/°C	< 0.002
Insertion Loss thermal stability	dB/°C	< 0.003
Power Handling	mW	< 300
Operating temperature	°C	0 to +70
Storage temperature	°C	-40 to +85
Dimensions (H x W x D)	mm	43.6 x 183 x 118.5

ORDERING INFORMATION

Product number	Name	Description
F-CMUX-BIDI4-A-MLU	F-CMUX-BIDI4-A	Fiberworks 4 ch. CWDM BiDi Mux/Demux Single fiber, Mon. port, LC/UPC, A-side
F-CMUX-BIDI4-B-MLU	F-CMUX-BIDI4-B	Fiberworks 4 ch. CWDM BiDi Mux/Demux Single fiber, Mon. port, LC/UPC, B-side
F-CHASSIS-1U2-19	F-CHASSIS-19	Fiberworks 19" 1U chassis for two modules, with one blanking plate