

CWDM LD Light Source



Features

- CWDM wavelength 1470 to 1610nm
- High output stability <0.15dB STD
- Output power preset at -3 dBm, or at customer-defined value
- Selectable CW, 270Hz, 1KHz or 2KHz modulated output
- Small size, easy for field applications
- Light weight, less than 0.2Kg
- Auto power shut-off Enable / Disable
- Battery-low indicator

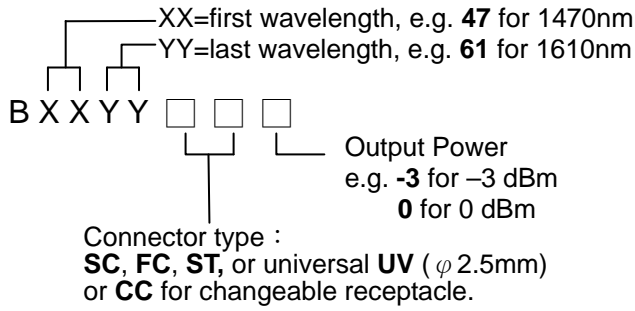
Specifications

Wavelength Central Spectral Width	CWDM 1470 to 1610nm < 1nm
Stability STD. (1 hr period after turning on 15 min.)	<0.15dB
Power Output: (Into 9/125um Fiber)	-3dBm (or customer specified)
Power Output Uncertainty	0.5dB
Functions	ON/OFF (Power switch) Hz (Modulated output mode) Auto shut off after 10 minutes turn-on time Auto shut off disabled Low battery power indication
Modulation Frequencies	270Hz, 1kHz or 2kHz
Optical Connector Interface	FC or ST or SC, adapter for other connector available
Power	Rechargeable Lithium battery, works continuously for 8 hrs after 2-hrs full charge
Environmental: Operation Temp. Humidity Storage Temp. Humidity	-15°C to 50°C, 0-95% RH (non-condensing) -35°C to +70°C, 0-95% RH (non-condensing)
Dimensions (Length x Width x Height)	16x7x3 cm (measured without case)
Weight (w/ batteries)	<0.2Kg

Note: Specifications subject to change without notice.

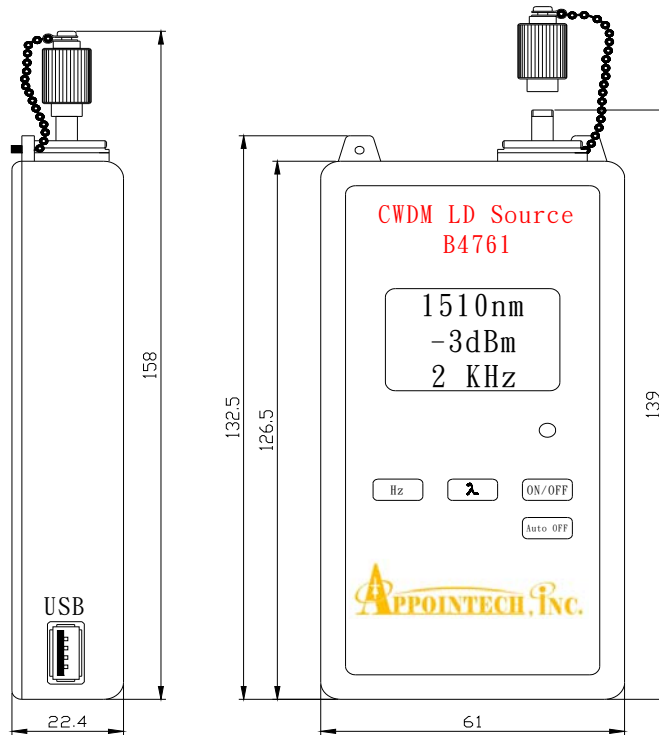
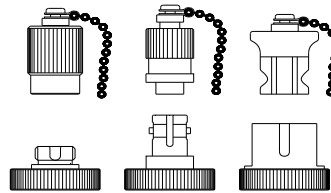
CWDM LD Light Source

Ordering information



Options :

- Changeable receptacle FC, SC, or ST
- Standard Multi-units Carrying Case
- Heavy-Duty Multi-units Carrying Case



Unit:mm

CWDM LD Light Source

CWDM LD Light Source



Appointech, Inc.

6F-2, NO.192 Tung-Kuan Rd.,
Hsinchu, Taiwan, R.O.C.

TEL : 886-3-573-8478

FAX : 886-3-573-8441

E-mail : sales@appointech.com

<http://www.appointech.com>